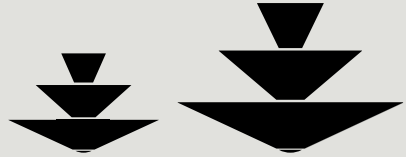


## Instructions

# Gio LN14 & LN15

## Luca Nichetto

### 2025



---

Please read these instructions carefully and retain them for future reference to ensure the product is used correctly. For your own safety, please study each step of this instruction manual first. &Tradition is not responsible for any faults or damage caused by not following these instructions correctly. Do not modify this product in any way. If you have any questions or comments, please do not hesitate to contact us by mail on: [info@andtradition.com](mailto:info@andtradition.com)

&Tradition®

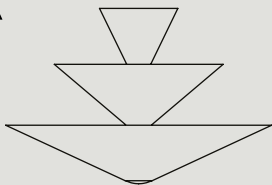
# Gio LN14 & LN15

## Luca Nichetto

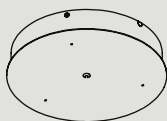
### 2025

---

A



B



C



### Safety precautions

- Dispose of plastic bag from packaging and do not allow children to play with it.
- If in any doubt, please consult a professionally qualified electrician before installation.
- Do not place the wires within reach of small children.
- If the internal cable or light source of this lamp is damaged, it must be replaced by the manufacturer or a qualified individual.
- Two people or more people are required for installation.
- The lamp is intended for indoor use only.

### Contents

- A Lamp
- B Canopy *incl. mounting bracket and logo plate*
- C Steel wires x 3

### Tools needed

- Screwdriver
- Wire cutter

### Cleaning instructions

Wipe surface of the lamp with a soft, damp sponge or cloth wrung in warm water. Do not use strong cleaning agents such as white spirit, turpentine, household glass cleaner or cellulose thinners. Never any abrasive cleaning tools such as steel wool, scouring sponges or stiff brushes as this will damage the surface of the lamp. Only wipe the inside of the shade with a soft, damp cloth or feather duster.

08/24

For indoor use only  
Built-in LED

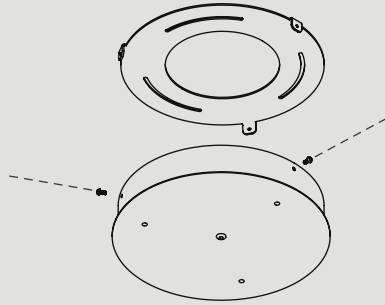


&Tradition®

### Step 1 / 7

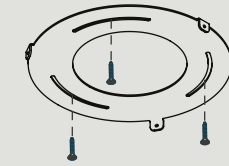
Turn off the main electricity supply before installation.

Separate the canopy (B) from the mounting bracket by loosening the small screws on the side of the canopy as pictured.



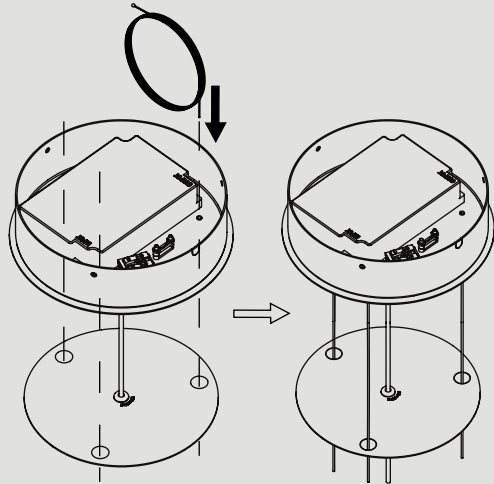
### Step 2 / 7

To install the mounting bracket onto the ceiling, secure in place using screws suitable for your ceiling type.



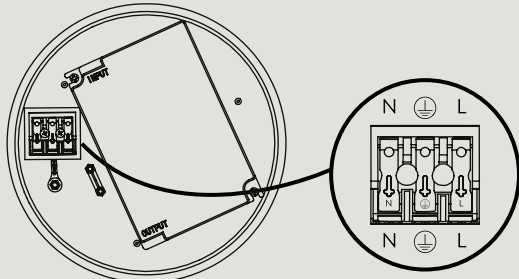
### Step 3 / 7

Insert the steel wires (C) through the holes on the back of the canopy all the way through the holes on the logo plate beneath as shown.



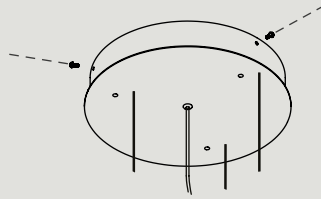
### Step 4 / 7

Connect the supply cable from the ceiling into the terminal box, **use one for L to L, N to N and  $\perp$  to  $\perp$** .

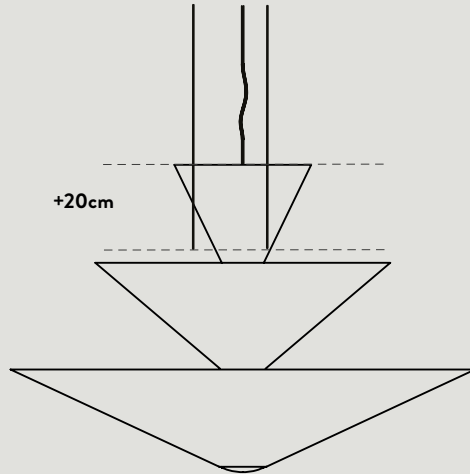


**Step 5 / 7**

Install the canopy onto the mounting bracket by fastening the small screws on the side of the canopy as pictured.

**Step 6 / 7**

Cut the steel wire to about 20cm longer than the desired hanging height.

**Step 7 / 7**

Next, feed the wires through each wire adjuster at the top of the lamp as indicated (A).

Connect the transparent cable to the lamp as indicated by the arrow.

Finally, level the lamp body by adjusting the wires one by one. To do so, press down on the pin on the wire adjusters.

The main electricity supply can now be restored.

